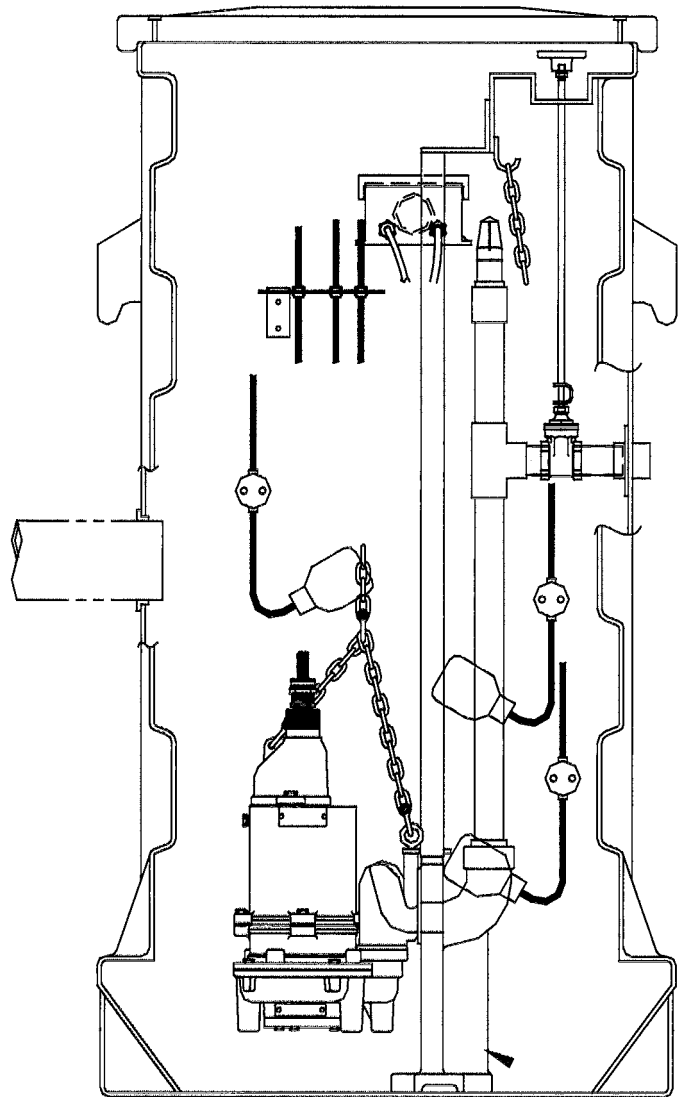




MYERS®



MODEL SRA(X)-125 COMPLETE GRINDER PACKAGE SYSTEM

INSTALLATION AND SERVICE MANUAL

For MG, WG, WGL, WGX and V²

NOTE! To the installer: Please make sure you provide this manual to the owner of the equipment or to the responsible party who maintains the system.

GENERAL INFORMATION

Thank you for purchasing your Low Pressure Sewage Basin System. To help ensure years of trouble-free operation, please read the following manual carefully.

Before Installation:

This manual contains important information for the safe use of this product. Read this manual completely and follow the instructions carefully. Reasonable care and safe methods relating to the installation and operation of this product should be practiced. Check local codes and requirements before installation.

DANGER – Risk of electrical shock or electrocution. May result in serious injury or death or fire hazard. Installer must disconnect all electrical sources prior to installation. Only qualified personnel may install this system. NFPA 70/National Electric Code (NEC) or local codes must be followed. System must be properly grounded according to NEC.

DANGER – Biohazard risk. Once wastewater source has been connected to system, biohazard risk exists. Installer(s) and/or service personnel must use proper personal protective equipment and follow handling procedures per OSHA 29 CFR 1910.1030 when handling equipment after wastewater source has been connected to system.

DANGER – Risk of fire or explosion. Do not smoke or use open flames in or around this system. This system is not intended for use in hazardous locations per NFPA 70 National Electric Code. Consult factory for optional equipment rated for this use.

DANGER – Cutting risk. Risk of serious cutting or amputation exists. Disconnect all power sources prior to servicing pump or grinding mechanism. Pump may start without warning. Grinding mechanism is extremely sharp. Use caution when handling grinder mechanism.

CALIFORNIA PROPOSITION 65 WARNING:

⚠ WARNING This product and related accessories contain chemicals known to the State of California to cause cancer, birth defects or other reproductive harm.

INSTALLATION SKILL REQUIREMENTS

The installation of a basin system is a specialized skill, which requires individuals with the basic understanding of excavating, pipe fitting, and electrical wiring. These instructions are meant only to be an installation guide; therefore, unusual installation

conditions not covered in these instructions require experienced personnel capable of using reasonable engineering principles for the installation and operation of the system.

EXCAVATION INSTRUCTIONS

DANGER – Excavation location. Excavation location shall be made according to local codes and regulations. Check with local utility companies for the location of underground utilities prior to excavation. Care should be taken to avoid buried utility lines, piping, and other buried structures and foundations. Failure to follow these instructions may result in serious personal injury or death.

BASIN INSTALLATION INSTRUCTIONS

CAUTION – If the basin is not tied down during installation, rain or flood conditions may cause the basin to float upward, causing damage to the basin or basin connections.

Basin System Handling: Factory built basin systems must not be dropped, dragged, rolled, or handled with sharp objects. Improper handling of basins may result in damage to the basin, damage to basin components, or leaks in the piping assemblies.

Step 1: The pad under the basin requires 4 to 6 inches of appropriate fill. The ideal basin pad is concrete in conjunction with anti-flotation tie-down studs. Basin anti-flotation tie-down kits are available from Pentair Water. If concrete pad is not used, the aggregate must be compacted to a minimum 85% standard proctor density per ASTM 0698, or as required by the authority having jurisdiction. Concrete pad or aggregate surface must be leveled flat and free of voids to conform to the basin bottom. Basin bedding depth should be calculated such that the basin top will protrude 3" above the normal grade upon final installation.

Step 2: Lifting of the basin may be done with a nylon or other nondamaging type material sling. Do not wrap a chain or steel cable around the basin as damage may result. The two T-shaped molded-in lugs may be used for lifting the basin. Do not attach lifting mechanism around discharge hub or electrical hub.

DANGER – Failure to properly support electrical conduit, lines and connections may result in structural failure. Electrical connections may be damaged exposing live electrical connections.

Step 3: Lower the basin into excavation, position and level properly. Mount basin to base anchor bolts if an anti-flotation tie-down kit is used. If basin is fiberglass, inspect fiberglass basin and seal off any cuts or scratches to prevent fiberglass deterioration.

INFLUENT AND DISCHARGE CONNECTION INSTRUCTIONS

Influent and Discharge Connections for Fiberglass Basins:

Step 1: An inlet grommet is the standard supplied influent connection device. If another type of inlet hub is used, refer to the directions included with the hub. Determine point at which influent line will enter basin and, using a properly maintained piloted hole saw sized per chart below, drill a hole through the basin wall. If using a fiberglass basin, clean cut hole and apply a sealant coating to the cut section to prevent fiberglass deterioration. Insert the inlet grommet into the drilled hole.

Pipe Size	Hole Saw Diameter
3"	4"
4"	5"
6"*	7"

*6" pipe size requires use of fiberglass basin.

WARNING – Failure to use a properly piloted hole saw may result in damage to basin which may result in structural failure or serious leaks.

Step 2: Lubricate inside lip of inlet grommet with pipe soap. Clean outer end of influent pipe and push pipe through grommet. Ensure pipe does not protrude inside basin so as to interfere with pump removal or float operation.

Step 3: Close shut-off valve and make discharge line connection. It is strongly recommended that an additional shut-off valve and redundant check valve be located outside the basin at any force main entrances – check local codes for specific requirements.

BACKFILL INSTRUCTIONS

The authority having jurisdiction has the right to require alternative materials or procedures for backfilling the installation.

WARNING – Failure to properly backfill may result in damage to the basin which could cause leaks or structural failure. Failure to follow these backfill instructions during the installation of the basin voids the basin warranty.

CAUTION – In freezing conditions the backfill must be dry and free of ice. Do not use other backfill materials. Failure to use the recommended bed and backfill materials during the installation of the basin voids the basin warranty.

Step 1: Obtain proper backfill material. The backfill material provides as much as 90% of the basin's

support under certain stress conditions. The installer must be positive that correct bed and backfill materials are used per instructions as follows:

- A. Gravel-clean and free flowing with particle size not less than 1/8" nor more than 3/4" in diameter. Use this description when ordering or specifying as material varies upon geographical location. This material is commonly known as "pea gravel".
- B. Stone or gravel crushings with angular particle size of not less than 1/8" nor more than 1/2" diameter, washed and free flowing, is acceptable as an alternative material.

Step 2: At least a 4–6 inch wide band of compacted aggregate must be placed in successive layers (6" lifts) around the entire periphery of the basin. Carefully compact aggregate under all piping and electrical lines. Cover grade should slope down 3" to the normal surrounding grade. Care must be taken to prevent damage to any influent, discharge, or electrical connections made to the basin.

INTERNAL BASIN INSTALLATION INSTRUCTIONS

Remove pump from carton. When unpacking unit, check for concealed damage. Claims for damage must be made at the receiving end through the delivery carrier. Damage cannot be processed from the factory.

Systems Description: Factory built basin systems are available in 24" and 30" diameter basins with 60" through 156" depths in one foot increments. In an SRA-125 system, the pump is raised and lowered in the basin using rope or chain attached to the pump. This system includes an integrated ball check valve assembly that slides up and down the dual rails allowing the pump to be removed without disconnecting piping.

Pump Models: The basin system may employ any centrifugal 1 through 2 HP submersible grinder pump that uses cutter blades to grind solids into a slurry. These pump systems are designed for pumping effluent or sewage water only.

Grinder Pump Attachments:

Step 1: Attach the ball check and rail guide assembly to the grinder pump discharge with bolts and washers provided.

Step 2: Attach rope or chain as provided to the guide plate lifting eye. A hook is located on the top rail support to hold the upper end of the chain or rope when not in use.

Step 3: Position pump so the guide rails are located in the slots of the guide plate. Slowly lower the pump down the guide rails to the base. The locating pins (horizontal pin on seal plate) should come to seat in the inclined surface on the arms.

Internal Basin Connections:

Step 1: Attach float switches to the float bracket by clamping strain relief bushings around the float cords, then inserting the bushings into the float bracket slots.

Step 2: After grinder pump attachments have been made, lower the pump unit down the rails and ensure ball check valve aligns and connects properly with base elbow in basin bottom.

Junction Box Systems:

Step 1: Ensure power source is off or disconnected and push pump power, seal failure/heat sensor, and float cords through cord grips in the junction box and tighten. To prevent corrosion or electrical short, plug any unused holes.

Step 2: Remove junction box cover and make all connections inside junction box to all incoming control panel wires. It is required that the customer furnish and install a conduit seal outside the basin to prevent surface water from entering the junction box.

NOTE: Failure to use a Pentair approved control panel voids warranty.

IMPORTANT: Properly connect the panel ground wire to a grounding rod. Improper grounding voids warranty.

Panel Wiring:

Step 1: Ensure power source is off or disconnected and connect pump power, seal failure/heat sensor, and float cords to panel terminals per the schematic provided. All conduits and cables entering the panel must be sealed off.

For single-phase pumps: Check panel wiring to ensure white, black, and red pump leads are connected according to the schematic and panel wire labels. Single phase pumps will run only if connected one way.

Three-phase pumps: Interchange any two line leads to the motor inside the panel if the pump rotates in the wrong direction.

Electrical Connections:

MG Series – 230V, 1 Phase

Green	Ground
White	Main Power Line
Black	Common Power Line

V² and WGL Series

	1 Phase	3 Phase
Green	Ground	Ground
Red	Start Power Line	Power Line
White	Main Power Line	Power Line
Black	Common Power Line	Power Line
Orange	Seal Failure	Seal Failure

WG/WGX Series

Power Cord	1 Phase	3 Phase
Green	Ground	Ground
Red	Start Power Line	Power Line
White	Main Power Line	Power Line
Black	Common Power Line	Power Line

Control Cord

Orange	Seal Failure
Red	Seal Failure
Black	Heat Sensor
White	Heat Sensor
Green	Ground

Preoperational Grinder Pump Checks:

Step 1: Ensure power source is off or disconnected and remove pump from basin.

Step 2: With power off, turn radial cutter with a screwdriver to be sure it rotates freely.

Step 3: Stand clear from pump and with power on, check for proper rotation of pump by turning “H-O-A” switch to “HAND” momentarily and then “OFF”. The impeller should turn counterclockwise when viewed from the suction end.

PUMP OPERATIONS

Step 1: Run clear water into the basin until motor housing is covered.

Step 2: Open the shut-off valve to the discharge line.

Step 3: Turn “H-O-A” switch to the “OFF” position and turn on main breaker.

Step 4: Start the pump by turning the “H-O-A” switch to the “HAND” position.

Step 5: Check the pump amperage with clamp on ampmeter on black pump lead. Readings higher than nameplate indicate clogged pump, miswiring, or improper voltage. If basin is not being pumped down and amperage readings are considerably lower than nameplate, the pump may be air locked.

NOTE: Nameplate amperage is rated at the largest impeller diameter trim. Pumps with cut diameter impellers will draw slightly less amps than nameplate. If pump is air locked, refer to the troubleshooting section in this manual.

Step 6: Float adjustment for simplex systems: Adjust floats so that the water level is above the pump motor housing, and the pump shuts off when the water level is 2 inches above the pump volute discharge.

Float adjustment for duplex systems: Adjust floats so that a pump will start when the water level is just above the pump motor housing, and pump on override water level is 5 inches above the pump motor housing. Adjust pump shut-off so that water level is within 2 inches

above pump volute discharge. Pumps should alternate starting, between each other, upon successive pump-down cycles. To check override level, set both "H-O-A" switches to "OFF" position and allow water to surpass the override level, then set both "H-O-A" switches to "AUTO" position and both pumps should start. Turn

off one pump and be sure second pump starts when override level is reached on second trial. If pumps fail to cycle in this manner, retrace control float wiring panel.

Step 7: Ensure "H-O-A" switch is set to "AUTO" before placing system into service.

CHECK LIST IF PUMP DOES NOT OPERATE PROPERLY

Below is a list of common problems and possible solutions.

CONDITION	PROBABLE CAUSE
<p>Pump Runs but Does Not Pump Down the Basin with the H-O-A Switch on Either Hand or Automatic Position.</p>	<ol style="list-style-type: none"> 1. Cutters may be clogged. Amperage higher than nameplate may indicate this problem. 2. Pump rotation may be reversed (on three-phase pumps only). Switching any two power leads on three phase pumps will correct the rotation. 3. Discharge gate valve may be closed. 4. Pump may be air locked. Fill basin approximately 10 inches or more above the ball check valve assembly. Raise pump assembly so that the ball check valve disengages the discharge elbow (approximately 6 inches). Stand clear from the sump opening to avoid spray and turn pump on for a brief second to clear trapped air in the volute. 5. Clogging anywhere from cutters to check valve. This is evident if no water discharged out of the check valve after raising the pump to disconnect the sealing flange. Pull pump assembly and check for cause of clogging. 6. Discharge head may be too high. Check elevation against design point of pump. 7. Clogging beyond the sealing flange. This is evident if water is discharged through the check valve when raising the pump to disconnect the sealing flange. Inspect system basin piping or discharge piping from basin to locate clogging.
<p>Seal Failure Light Comes On.</p>	<ol style="list-style-type: none"> 1. This indication means the lower seal has failed and has allowed water to enter the lower seal chamber to make contact with the electrode. Pump must be scheduled for maintenance. Refer to the pump installation and service manual for information on replacing the lower seal. NOTE: Use twisted shielded cable for seal failure cable runs in excess of 100 feet.

CONDITION**PROBABLE CAUSE**

Basin Level Is Pumped Down with H-O-A on Switch Hand Position, But Is Not Pumped Down with H-O-A Switch on Automatic Position.

1. Floats are not hanging free in the basin or are covered with grease. Pump the level down with the H-O-A switch on HAND, so that the floats can be observed. Relocate and clean float(s) as necessary.
2. If this is a new installation and original start-up, the floats may be miswired into the control panel. If the on and off floats are reversed, the pump will short cycle on and off and will not pump the level down.
3. Floats or alternator are malfunctioning. Pull the floats out of the basin and hang the OFF and ON floats from your hand. Turn the H-O-A switch to AUTO. Tilt the OFF float so that the large end is above the cord end – nothing should happen. While keeping the OFF float tilted, tilt the ON float in the same manner – the pump should come on. Suspend the ON float again from your hand – the pump should continue to run. Finally, suspend the OFF float – the pump should stop running. If this procedure does not cause the pump to operate as described, either replace the float(s) or replace the alternator relay if the system is duplex.

Pump Run Light Stays On.

1. H-O-A switch may be in HAND position.
2. Lower float may have failed causing the pump to continue operating below the OFF level.
3. Pump may be air locked.
4. Cutters may be clogged.

Circuit Breaker Trips When Pump Tries To Start.

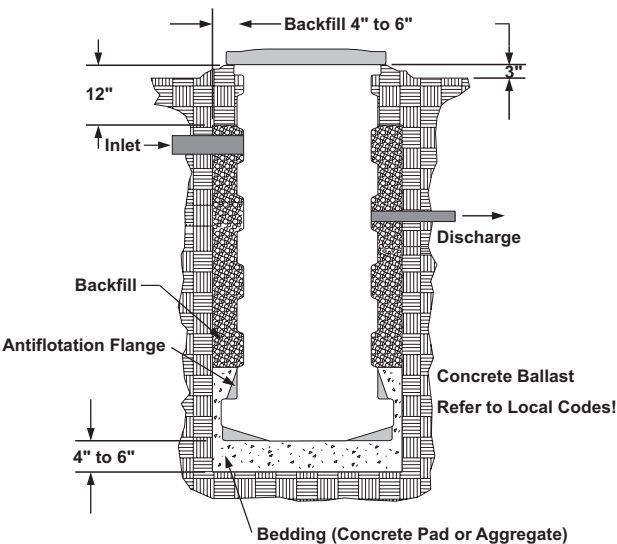
1. Short circuit in pump motor.
2. Water may have entered the motor housing through either worn-out mechanical seals or O-rings.
3. Contactor failure for three phase pumps. Check pump contactor for burnt contacts.
4. Start component(s) failure for single phase pumps. Check start capacitor and start relay for failure.
5. Single phase pump may be miswired to panel. The white, black, and red pump power leads must be connected correctly to panel.

Overload Trips, Is Manually Reset, and Then Trips Off Again.

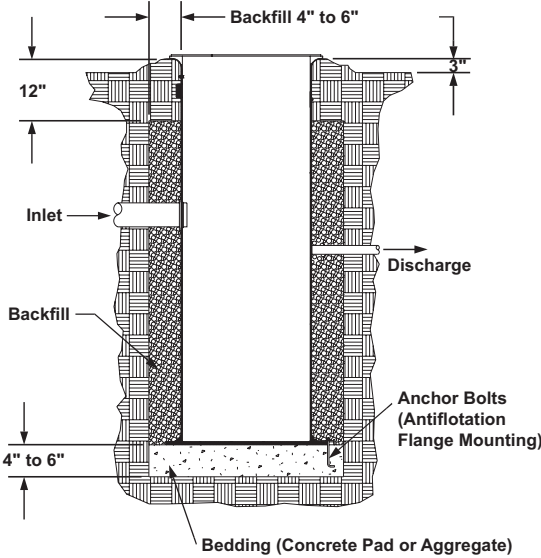
1. Cutters may be clogged. It is possible that the pump stalled during operation, and starting and stopping cleared the cutters. If resetting the overloads solves this problem, return the H-O-A switch to AUTO and observe operation.
2. Pump motor may have failed.
3. Start component(s) failure for single phase pumps. Check start capacitor and start relay for failure.
4. Single phase pump may be miswired to panel. The white, black, and red pump power leads must be connected correctly to panel.

FINAL BACKFILL FOR BASIN SYSTEMS

Polyethylene



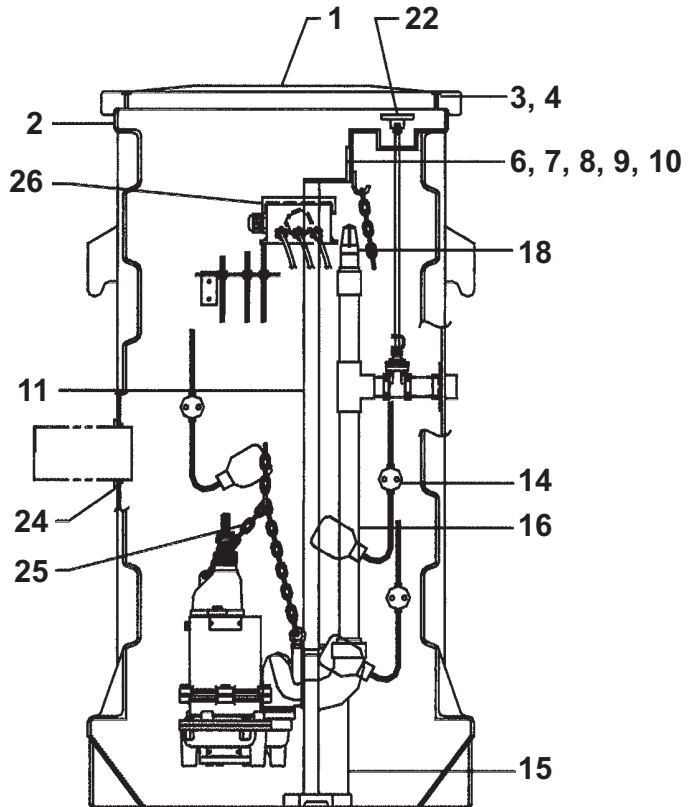
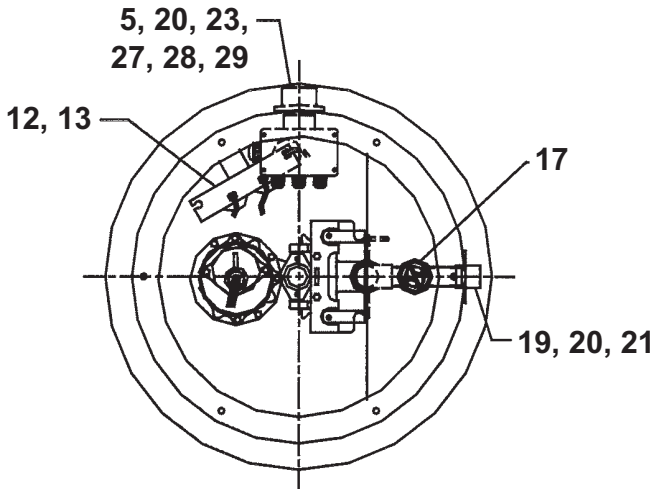
Fiberglass



TYPICAL POLY SIMPLEX SYSTEM PARTS LIST

No.	Part No.	Description	Qty.
1	27567A001	Cover – Sump 24" Poly	1
2	27571D001	Basin – 24 x 60" Poly	1
	27571D002	Basin – 24 x 72" Poly	1
	27571D003	Basin – 24 x 84" Poly	1
	27570D100	Basin Extension – 24" x 36"	1
3	19099A034	Cap Screw	6
4	05030A171	Washer – Flat	6
5	05454A013	Washer – Lock	4
6	24439C105	Support – Top Rail	1
7	19101A017	Cap Screw	8
8	05030A146	Washer – Flat	10
9	05454A015	Washer – Lock	8
10	19109A018	Nut	8
11	05151A225	FG Rails – 60" Basin	2
	05151A435	SST Rails – 60" Basin	2
	05151A229	FG Rails – 72" Basin	2
	05151A433	SST Rails – 72" Basin	2
	05151A228	FG Rails – 84" Basin	2
	05151A434	SST Rails – 84" Basin	2
	05151A202	FG Rails – 96" Basin	2
12	22470B005	Bracket – Control Float	1
13	14755A002	Bushing, Cord Grip	3
14	21813A300	Control, Level NO Switch	3
15	Check Valve Assembly		
	27156D000	Elbow – Base	1
	27170A001	Seal – Discharge Flange	1
	05876A258	Ring – O	1
	27157C000	Elbow – Cast Iron	1
	27157C010	Elbow – Cast Brass (Hazardous Location)	1
	27171B000	Bracket – Guide, SST	1
	27171B001	Bracket – Guide, Brass (Hazardous Location)	1
	19100A004	Screw – Cap	2
	21929A011	Bolt – Eye	1
	06106A059	Screw – Socket Head	2
	27277A000	Insert – Elbow	1
	050780001	Ball – Neoprene	1

No.	Part No.	Description	Qty.
16	05004A121	Vertical Discharge Pipe Bushing – 2 x 1-1/4	1
	123310001	Pipe – 1-1/4 x 21-3/8 TOE	1
17	Horizontal Discharge Pipe		
	05126A058	Tee – 1-1/4	1
	124400001	Valve – Gate	1
	23905A002	Pipe – 1-1/4 x 2-1/2 TOE	1
	05008A052	Pipe – 1-1/4 Close Nipple	1
	05004A113	Bushing – 1-1/2 x 1-1/4	1
18	Riser Pipe w/Anti-Siphon		
	13126A034	Pipe – 1-1/4 x 17 Unthrd	1
	05346A046	Coupling – Pipe 1-1/4	1
	05004A115	Bushing – 1-1/4 x 3/4	1
	05008A059	Nipple, Close 1-1/4	1
	148790001	Valve – Anti-Siphon	1
19	24227B029	Flange – Discharge	1
20	29019220450	Sealant, Gasket	4 ft.
21	19101A021	Cap Screw	4
22	085377005	Handle – Valve Extension, 24" Disch. Depth	1
	085377006	Handle – Valve Extension, 36" Disch. Depth	1
	085377007	Handle – Valve Extension, 48" Disch. Depth	1
	085377008	Handle – Valve Extension, 60" Disch. Depth	1
23	19109A088	Nut	4
24	24335A001	Grommet – Inlet, 4"	1
25	23828A000	Chain – Lifting Assy (MG/WGL)	1
	23828A001	Chain – Lifting Assy (WG and V ²)	1
26	128700001	Box – Junction (MG w/Floats)	1
	128700011	Box – Junction (WGL w/Floats and V ²)	1
	128700041	Box – Junction (WG w/Floats)	1
27	140841001	Flange – Conduit	1
28	19099A014	Cap Screw	4
29	05030A171	Washer – Flat	8

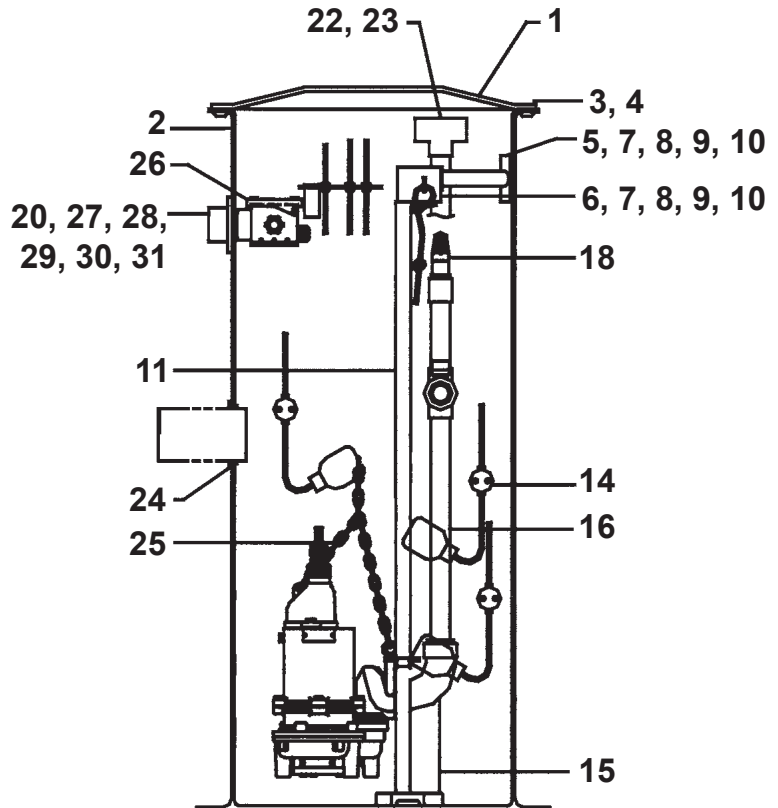
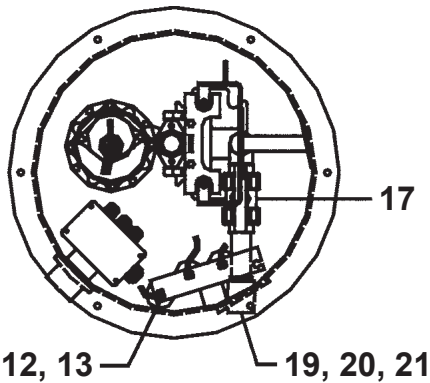


NOTE: Typical installation shown; actual installation may vary.

TYPICAL FIBERGLASS SIMPLEX SYSTEM PARTS LIST

No.	Part No.	Description	Qty.
1	21936D200	Cover – Sump 24" Plastic	1
2	23903D401	Basin – 24" x 60" w/Studs	1
	23903D400	Basin – 24" x 72" w/Studs	1
	23903D403	Basin – 24" x 84" w/Studs	1
	23903D404	Basin – 24" x 96" w/Studs	1
3	002380031	Cap Screw	6
4	001560321	Washer – Flat	6
5	24439C104	Support – Pipe, 24" Dia.	1
6	24439C105	Support – Top Rail	1
7	19101A017	Cap Screw	8
8	05030A146	Washer – Flat	10
9	05454A015	Washer – Lock	8
10	19109A018	Nut	8
11	05151A382	Rails – 60" Basin	2
	05151A383	Rails – 72" Basin	2
	05151A384	Rails – 84" Basin	2
	05151A381	Rails – 96" Basin	2
12	22470B005	Bracket – Control Float	1
13	14755A002	Bushing, Cord Grip	3
14	21813A300	Control, Level NO Switch	3
15	Check Valve Assembly		
	27156D000	Elbow – Base	1
	27170A001	Seal – Discharge Flange	1
	05876A258	Ring – O	1
	27157C000	Elbow – Cast Iron	1
	27157C010	Elbow – Cast Brass (Hazardous Location)	1
	27171B000	Bracket – Guide, SST	1
	27171B001	Bracket – Guide, Brass (Hazardous Location)	1
	19100A004	Screw – Cap	2
	21929A011	Bolt – Eye	1
	06106A059	Screw – Socket Head	2
	27277A000	Insert – Elbow	1
	050780001	Ball – Neoprene	1
16	Vertical Discharge Pipe		
	05004A111	Bushing – 2 x 1-1/4	1
	23908A129	Pipe – 1-1/4 x 21-3/8 TOE	1

No.	Part No.	Description	Qty.
17	Horizontal Discharge Pipe		
	05126A058	Tee – 1-1/4	1
	23909A009	Valve – Ball	1
	13126A206	Pipe – 1-1/4 x 3-1/2 Unthrd	1
	23908A121	Pipe – 1-1/4 x 3-3/4 TOE	1
	05004A113	Bushing – 1-1/2 x 1-1/4	1
18	Riser Pipe w/Anti-Siphon		
	13126A034	Pipe – 1-1/4 x 17 Unthrd	1
	05346A046	Coupling – Pipe 1-1/4	1
	05004A115	Bushing – 1-1/4 x 3/4	1
	05008A059	Nipple, Close 1-1/4	1
	148790001	Valve – Anti-Siphon	1
19	24227B021	Flange – Discharge	1
20	29019220450	Sealant, Gasket	4 ft.
21	19101A021	Cap Screw	4
22	22419B210	Handle – Valve Extension, 24" Disch. Depth	1
	22419B212	Handle – Valve Extension, 36" Disch. Depth	1
	22419B214	Handle – Valve Extension, 48" Disch. Depth	1
	22419B216	Handle – Valve Extension, 60" Disch. Depth	1
23	25817A000	Bracket – Handle	1
24	24335A001	Grommet – Inlet, 4"	1
25	23828A000	Chain – Lifting Assy (MG/WGL)	1
	23828A001	Chain – Lifting Assy (WG and V ²)	1
26	128700001	Box – Junction (MG w/Floats)	1
	128700011	Box – Junction (WGL w/Floats and V ²)	1
	128700041	Box – Junction (WG w/Floats)	1
27	140841001	Flange – Conduit	1
28	19099A014	Cap Screw	4
29	05030A171	Washer – Flat	8
30	05454A013	Washer – Lock	4
31	19109A088	Nut	4

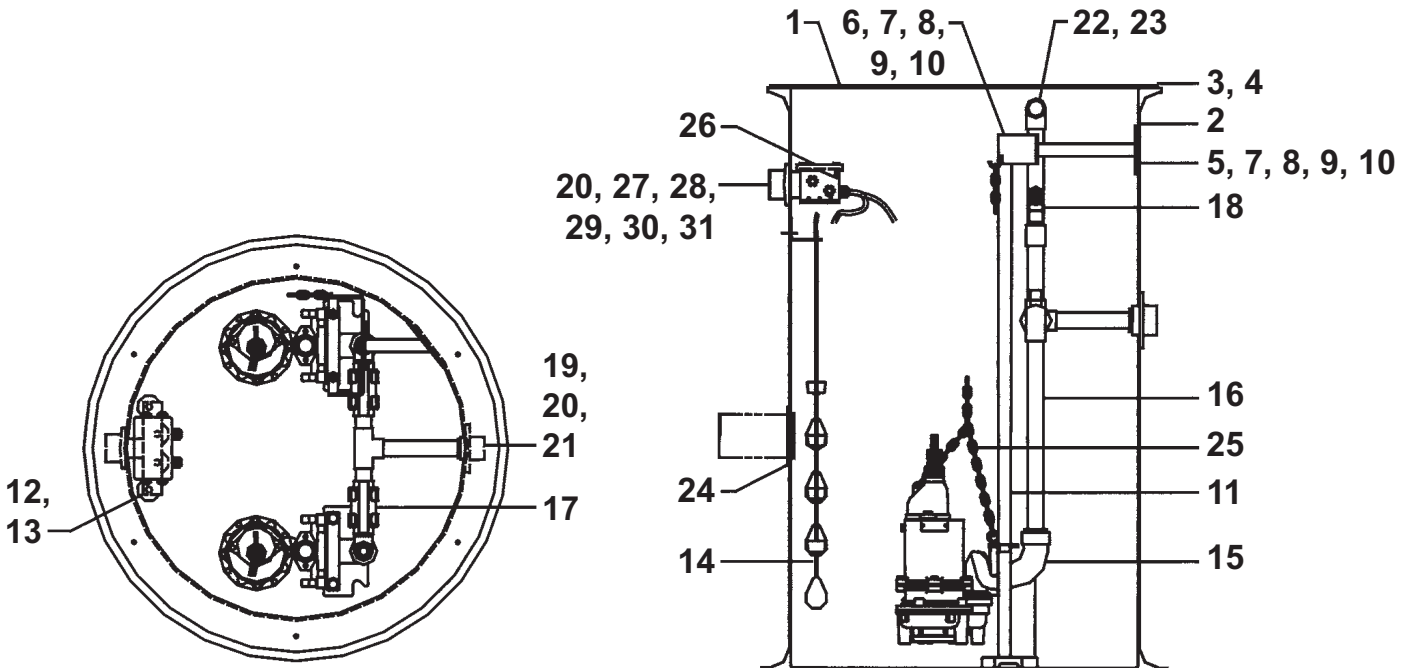


NOTE: Typical installation shown; actual installation may vary.

TYPICAL DUPLEX SYSTEM PARTS LIST

No.	Part No.	Description	Qty.
1	24951C036	Cover – Sump 36" Fiberglass	1
2	24197D413	Basin – 36" x 60" w/Studs	1
	24197D400	Basin – 36" x 72" w/Studs	1
	24197D402	Basin – 36" x 84" w/Studs	1
	24197D404	Basin – 36" x 96" w/Studs	1
3	002380031	Cap Screw	6
4	001560321	Washer – Flat	6
5	24439C108	Support – Pipe, 36" Dia.	2
6	24439C105	Support – Top Rail	2
7	19101A017	Cap Screw	12
8	05030A146	Washer – Flat	16
9	05454A015	Washer – Lock	12
10	19109A018	Nut	12
11	05151A382	Rails – 60" Basin	4
	05151A383	Rails – 72" Basin	4
	05151A384	Rails – 84" Basin	4
	05151A381	Rails – 96" Basin	4
12	22470B002	Bracket – Control Float	1
13	14755A002	Bushing – Cord Grip	4
14	21813A300	Control, Level NO Switch	4
15	Check Valve Assembly		
	27156D000	Elbow – Base	2
	27170A001	Seal – Discharge Flange	2
	05876A258	Ring – O	2
	27157C000	Elbow – Cast Iron	2
	27157C010	Elbow – Cast Brass (Hazardous Location)	2
	27171B000	Bracket – Guide, SST	2
	27171B001	Bracket – Guide, Brass (Hazardous Location)	2
	19100A004	Screw – Cap	4
	21929A011	Bolt – Eye	2
	06106A059	Screw – Socket Head	4
	27277A000	Insert – Elbow	2
	050780001	Ball – Neoprene	2
16	Vertical Discharge Pipe		
	05004A111	Bushing – 2 x 1-1/4	2
	23908A129	Pipe – 1-1/4 x 21-3/8 TOE	2

No.	Part No.	Description	Qty.
17	Horizontal Discharge Pipe		
	05126A058	Tee – 1-1/4	3
	23909A009	Valve – Ball	2
	13126A200	Pipe – 1-1/4 x 2-1/4 Unthrd	4
	23908A094	Pipe – 1-1/4 x 9-1/2 TOE	1
	05004A113	Bushing – 1-1/2 x 1-1/4	1
18	Riser Pipe w/Anti-Siphon		
	13126A034	Pipe – 1-1/4 x 17 Unthrd	2
	05346A046	Coupling – Pipe 1-1/4	2
	05004A115	Bushing – 1-1/4 x 3/4	2
	05008A059	Nipple, Close 1-1/4	2
	148790001	Valve – Anti-Siphon	2
19	24227B026	Flange – Discharge	1
20	29019220450	Sealant, Gasket	4 ft.
21	19101A021	Cap Screw	4
22	22419B210	Handle – Valve Extension, 24" Disch. Depth	2
	22419B212	Handle – Valve Extension, 36" Disch. Depth	2
	22419B214	Handle – Valve Extension, 48" Disch. Depth	2
	22419B216	Handle – Valve Extension, 60" Disch. Depth	2
23	25817A000	Bracket – Handle	2
24	24335A001	Grommet – Inlet, 4"	1
25	23828A000	Chain – Lifting Assy (MG/WGL)	2
	23828A001	Chain – Lifting Assy (WG and V ²)	2
26	128702001	Box – Junction (MG w/Floats)	1
	128702011	Box – Junction (WGL w/Floats and V ²)	1
	24393D007	Box – Junction (WG w/Floats)	1
27	140841001	Flange – Conduit	1
28	19099A014	Cap Screw	4
29	05030A171	Washer – Flat	8
30	05454A013	Washer – Lock	4
31	19109A088	Nut	4



NOTE: Typical installation shown; actual installation may vary.

THIS PAGE INTENTIONALLY LEFT BLANK

STANDARD LIMITED WARRANTY

Pentair Myers® warrants its products against defects in material and workmanship for a period of 12 months from the date of shipment from Pentair Myers or 18 months from the manufacturing date, whichever occurs first – provided that such products are used in compliance with the requirements of the Pentair Myers catalog and technical manuals for use in pumping raw sewage, municipal wastewater or similar, abrasive-free, noncorrosive liquids.

During the warranty period and subject to the conditions set forth, Pentair Myers, at its discretion, will repair or replace to the original user, the parts that prove defective in materials and workmanship. Pentair Myers reserves the right to change or improve its products or any portions thereof without being obligated to provide such a change or improvement for prior sold and/or shipped units.

Start-up reports and electrical schematics may be required to support warranty claims. Submit at the time of start-up through the Pentair Myers website: <http://forms.pentairliterature.com/startupform/startupform.asp?type=m>. Warranty is effective only if Pentair Myers authorized control panels are used. All seal fail and heat sensing devices must be hooked up, functional and monitored or this warranty will be void. Pentair Myers will cover only the lower seal and labor thereof for all dual seal pumps. Under no circumstance will Pentair Myers be responsible for the cost of field labor, travel expenses, rented equipment, removal/reinstallation costs or freight expenses to and from the factory or an authorized Pentair Myers service facility.

This limited warranty will not apply: (a) to defects or malfunctions resulting from failure to properly install, operate or maintain the unit in accordance with the printed instructions provided; (b) to failures resulting from abuse, accident or negligence; (c) to normal maintenance services and parts used in connection with such service; (d) to units that are not installed in accordance with applicable local codes, ordinances and good trade practices; (e) if the unit is moved from its original installation location; (f) if unit is used for purposes other than for what it is designed and manufactured; (g) to any unit that has been repaired or altered by anyone other than Pentair Myers or an authorized Pentair Myers service provider; (h) to any unit that has been repaired using non factory specified/OEM parts.

Warranty Exclusions: PENTAIR MYERS MAKES NO EXPRESS OR IMPLIED WARRANTIES THAT EXTEND BEYOND THE DESCRIPTION ON THE FACE HEREOF. PENTAIR MYERS SPECIFICALLY DISCLAIMS THE IMPLIED WARRANTIES OF MERCHANTABILITY AND FITNESS FOR ANY PARTICULAR PURPOSE.

Liability Limitation: IN NO EVENT SHALL PENTAIR MYERS BE LIABLE OR RESPONSIBLE FOR CONSEQUENTIAL, INCIDENTAL OR SPECIAL DAMAGES RESULTING FROM OR RELATED IN ANY MANNER TO ANY PENTAIR MYERS PRODUCT OR PARTS THEREOF. PERSONAL INJURY AND/OR PROPERTY DAMAGE MAY RESULT FROM IMPROPER INSTALLATION. PENTAIR MYERS DISCLAIMS ALL LIABILITY, INCLUDING LIABILITY UNDER THIS WARRANTY, FOR IMPROPER INSTALLATION. PENTAIR MYERS RECOMMENDS INSTALLATION BY PROFESSIONALS.

Some states do not permit some or all of the above warranty limitations or the exclusion or limitation of incidental or consequential damages and therefore such limitations may not apply to you. No warranties or representations at any time made by any representatives of Pentair Myers shall vary or expand the provision hereof.



MYERS®

1101 MYERS PARKWAY
ASHLAND, OHIO, USA 44805
419-289-1144

490 PINEBUSH ROAD, UNIT #4
CAMBRIDGE, ONTARIO, CANADA N1T 0A5
800-363-PUMP

WWW.FEMYERS.COM